

# CmStick | CmStick ME



Article-No:

1 0 0 1 - 0 3 - 1 x 0

1 6 1 0 - 5 0 1 8

## Description

The CmStick represents the heart of the CodeMeter Digital Rights Management system in a USB device form factor with a very small and noble case. It contains a smart card chip with a secure memory of about 328 kByte available for storing thousands of licenses. The basic idea of the revolutionary CodeMeter concept is that licenses can be stored for many products at the same time, with full multi-vendor capabilities.

The minimum set of License Options includes: Text (description of an entry), Unit Counter (number of runs or actually run time of a license), Activation Time (time the license is valid from), Expiration Time (time the license is valid until), Usage Period (starts at first time), Maintenance Period (according to release date), Feature Map (up to 32 modules or versions), License Quantity (concurrent use / floating network licenses), Protected Data / Extended Protected Data (128x256 bytes read-only data), Hidden Data (128x256 bytes only readable with password; usable as secret/private key), Secret Data (128x256 bytes non-readable, only usable as secret/private key), User Data (256 bytes, unsecured), Customer Owned License Information (256 bytes).

Encryption algorithms used in firmware 4.10 with serial number 3-3440000 or higher: 128 and 256-bit AES, SHA-256, 1024, 2048 and 4096-bit RSA, 224-bit ECC.

The integrated smart card chip fulfills the evaluation level EAL 5+ (Common Criteria certified) and contains a random number generator. The CmStick has a green and a red LED.

## Technical Specifications

The CodeMeter technology is covered by US 7.145.297 and other patents.

- Interface: Hi-Speed USB 2.0 certified, USB 1.1 compatible, Mass Storage Communication (MSC) or Human Interface Device (HID), HID default
- CodeMeter License memory:
  - Data retention: 10 years at room temperature
  - Data endurance:
    - Unit Counter: up to 500 million decrements
    - Other license parameters: up to 10 million updates to each license
- Power supply: 5 V bus-powered, < 20 mA (LEDs off, typical 6 mA), < 50 mA (both LEDs on)
- Temperature: -25° C ... + 85° C, non-condensing
- MTBF (Mean Time Between Failures): > 3 Million hours
- Case/Dimensions: Noble plastic case, 8 mm x 16 mm x 52.5 mm, Stick with protective cover: 12 mm x 25 mm x 88 mm
- Weight: CmStick 6 g, Cover 8 g
- Warranty: 36 months

## Certificates

The CmStick is tested and qualified with the following standards:

### CE-Conformity | European Certificates

CmStick is fully compliant with all applicable European regulations.

- EMC Report VDE File 2387800-3250-0003/200090, 2014-09-15:
  - EN55022:2010, IEC/CISPR 22:2008 modified
  - EN55024:2010, IEC/CISPR 24:2010
  - EN 55032:2012, AS/NZS CISPR22:2009 + A1:2010
- All CmStick units are fully compliant with IEC 62321:2008, EC Directives 2011/65/EC (RoHS), PFOS 1907/2006/EC§33 (REACH, SVHC)  
VDE Test Report 2387800-9021-0001/200091, 2014-12-05

### International Certificates

- CB Test Certificate DE1-54874 CISPR 24(ED.2), 2014-11-20
- CB Test Certificate DE1-54888 CISPR 22(ED.6), 2014-11-20
- FCC 47 CFR, Part 15, Subpart B (2013), ETC File 14-12-MAS-150-01
- VCCI Class B ITE, ETC File 14-12-MAS-150-02
- KCC will follow (South Korea)

### Other Certificates

- VDE License No. 129382
- C-UL-US listed I.T.E. Accessory 10 WB, E-File 211202

The encryption device is only for use with UL Listed PCs (low power system). Meets UL 60950-1 and CSA C22.2 No. 60950-1 Safety of Information Technology Equipment specifications.

### Ordering Information

P/N 1001-03-100: CmStick bulk

P/N 1001-03-130: CmStick ME bulk

P/N 1610-5018: Cover with clamp | RAL 5018 n

Variants with custom cases, color finishes, or labels available on demand.

RoHS compliant  
WEEE-Reg-No:  
DE 90465365



All dimensions in millimeter. Subject to change without notice.

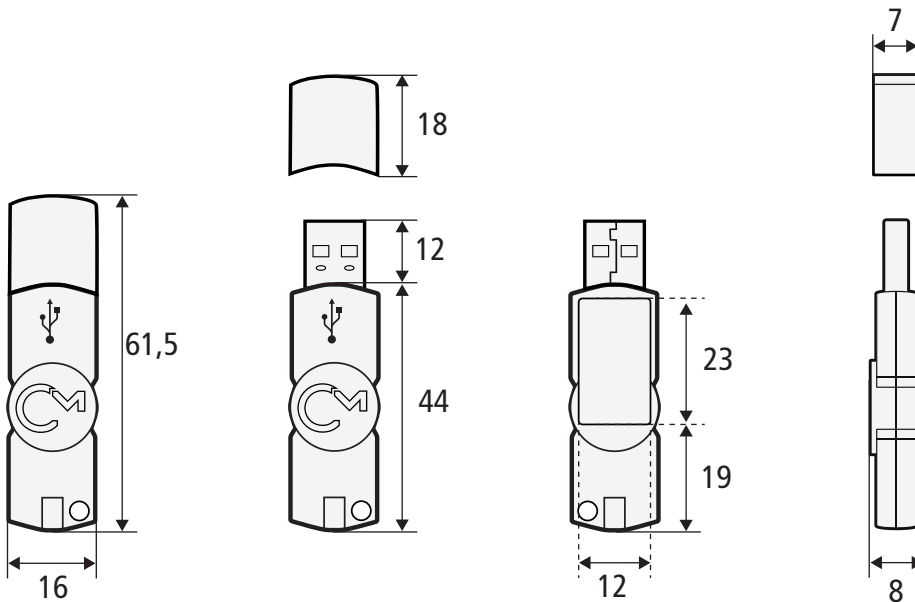
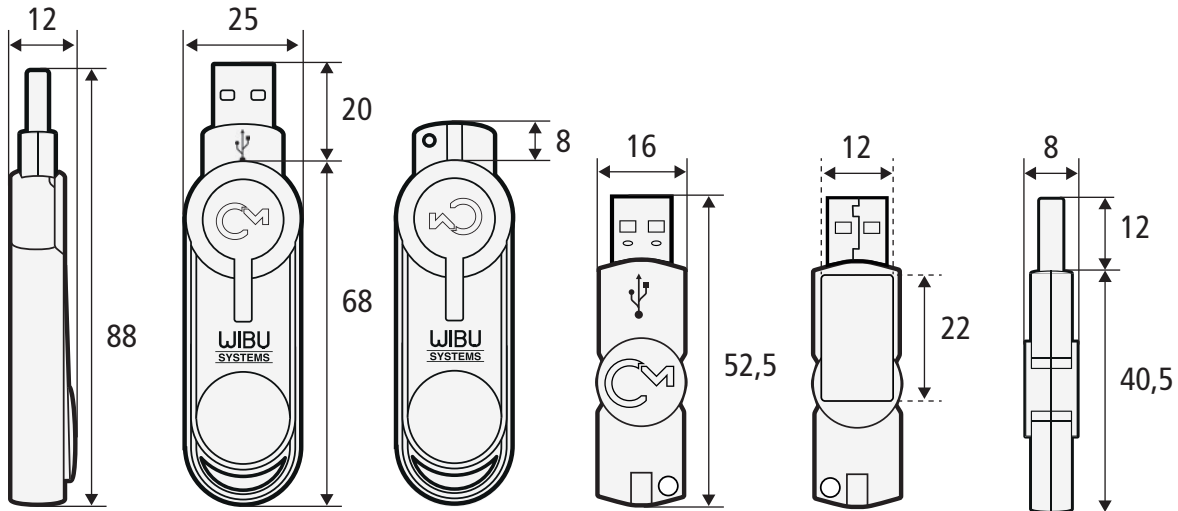
WIBU-SYSTEMS AG  
Rueppurrer Strasse 52-54  
D-76137 Karlsruhe  
Tel: +49-721-93172-0  
Fax: +49-721-93172-22  
info@wibu.com  
www.wibu.com

# Technical Drawing

Article-No:

1 0 0 1 - 0 3 - 1 x 0

1 6 1 0 - 5 0 1 8



All dimensions in millimeter. Subject to change without notice.

WIBU-SYSTEMS AG  
Rueppurrer Strasse 52-54  
D-76137 Karlsruhe  
Tel: +49-721-93172-0  
Fax: +49-721-93172-22  
info@wibu.com  
www.wibu.com